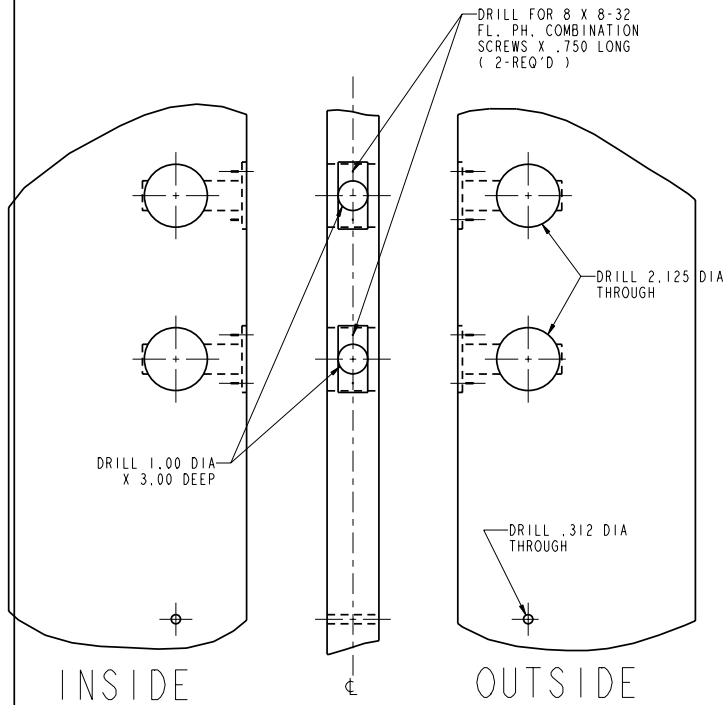


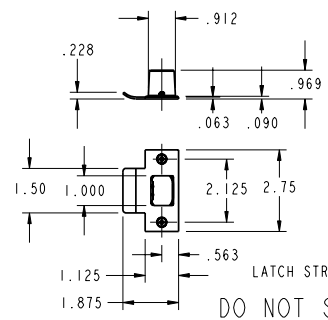
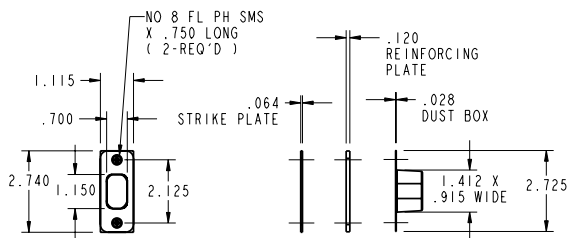
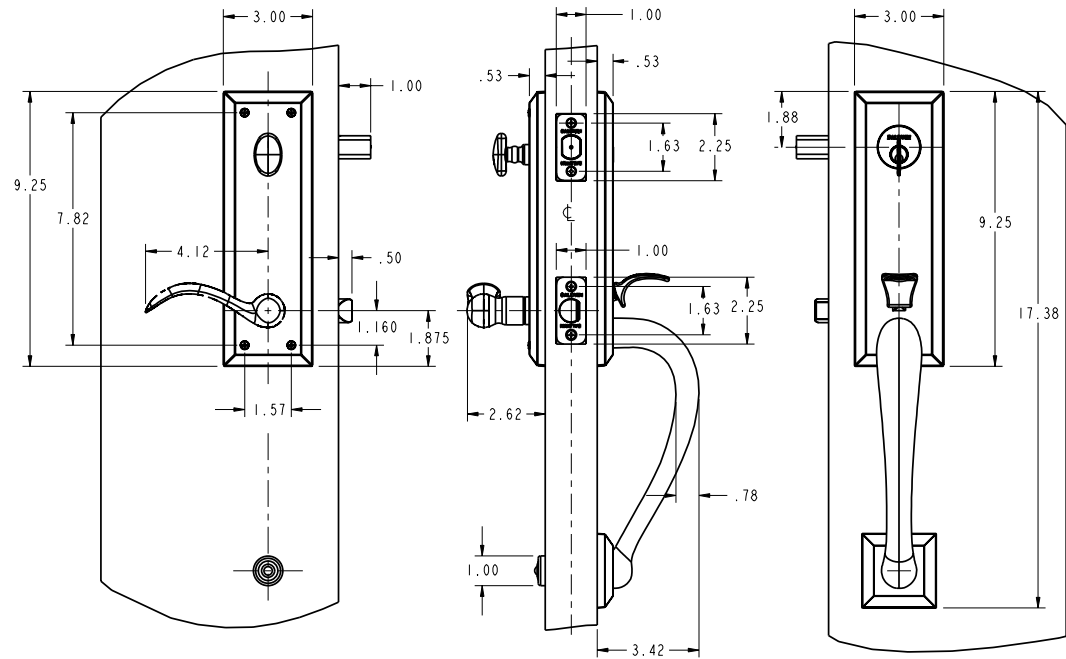
DOOR DETAIL



TRIM DETAIL

INSIDE

OUTSIDE



DO NOT SCALE DRAWING

EFFECTIVE 02/14/07

DEADBOLT STRIKE, REINFORCEMENT PLATE, & DUST BOX DETAIL

	BALDWIN HARDWARE CORPORATION <small>READING, PENNSYLVANIA</small>	BLACK & DECKER COMPANY
	85352 LENT/ RENT	
TEMPLATE: NO VARIATIONS		TEMPLATE NO.
©2006 BY BALDWIN HARDWARE CORPORATION		IM062