



Door and Jamb Preparation for Schlage Hardware

LOCK SERIES INDEX OF TEMPLATE SHEETS

S-Series Locks		Door			Template Number	
Function	Description	Door Edge		Door Thickness	Wood or Composite	Metal
		Flat	Bev.			
S10D thru S80PD	1" (25mm) Faceplate, 7/8" (22mm) housing (standard)	x	x	1 3/8" - 2" (35mm-51mm)	S876	S877
	1 1/8" (29mm) Faceplate, 1" (25mm) housing	x	x	1 3/8" - 2" (35mm-51mm)	S878	S879
	1" (25mm) Faceplate, 1/4" (6mm) radius round corner	x	x	1 3/8" - 2" (35mm-51mm)	S880	
	1" (25mm) Faceplate, 1/2" (13mm) rabbeted, strike included	x		1 3/8" - 2" (35mm-51mm)	S881	
S170	Dummy trim, surface mounted			Any	S839	S840

Note:

Whenever backset options are listed at the bottom of a template sheet, backset must be indicated by the suffix letter as follows:

A = 1 3/4" (44mm) backset B = 2" (51mm) backset C = 2 3/8" (60mm) backset D = 2 3/4" (70mm) backset

E = 3 3/4" (95mm) backset F = 5" (127mm) backset G = Other (specify)

Example: S876-C (S-Series lock template #876 with 2 3/8" (60mm) backset)

S-Series Standard Strike		Jamb	
Number	Description	Template Number	
		Wood	Metal
10-001	ANSI standard for 1 3/8" (35mm) doors	J454	J455

Note:

See strike template index for optional strikes.

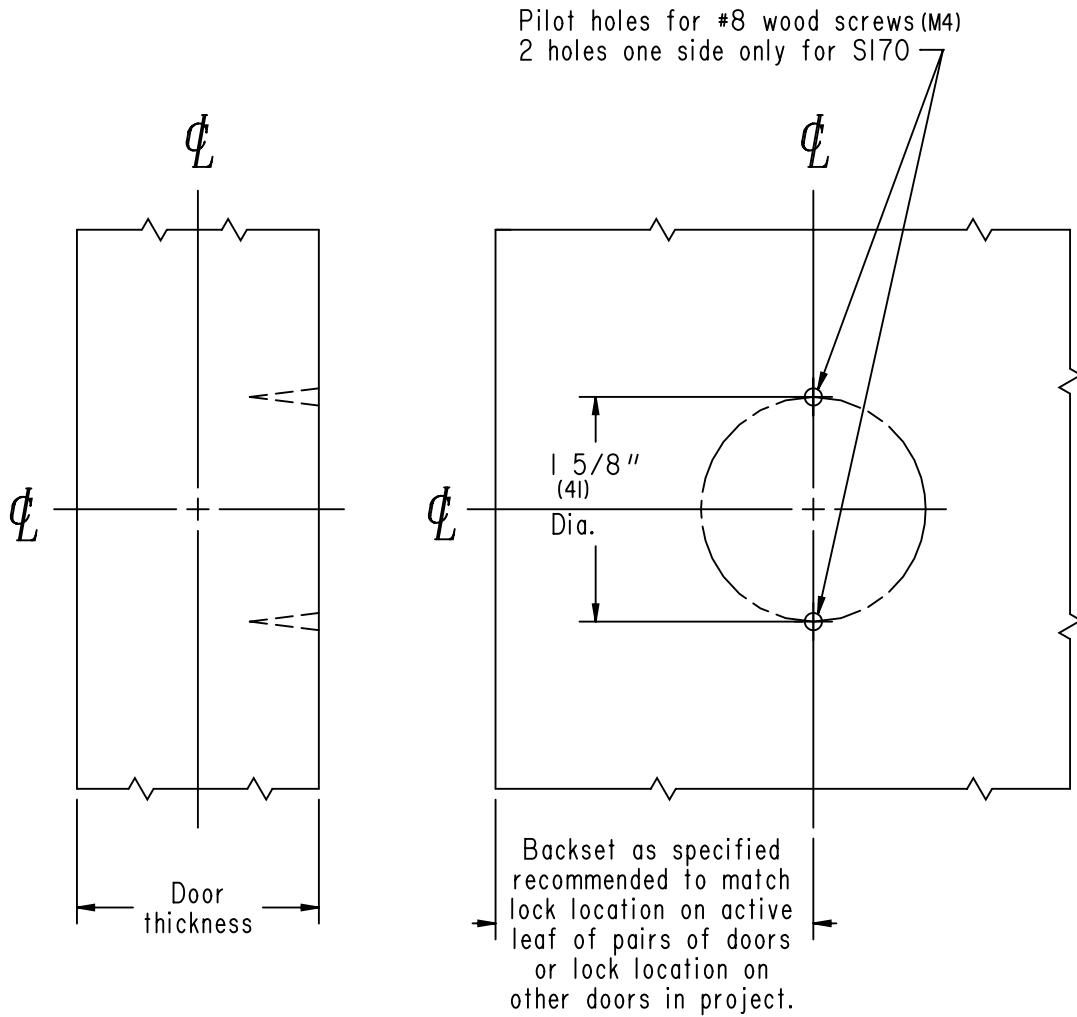
S170

Wood or composite doors
Surface mounted

Note: Dimensions shown in parenthesis () are in millimeters.

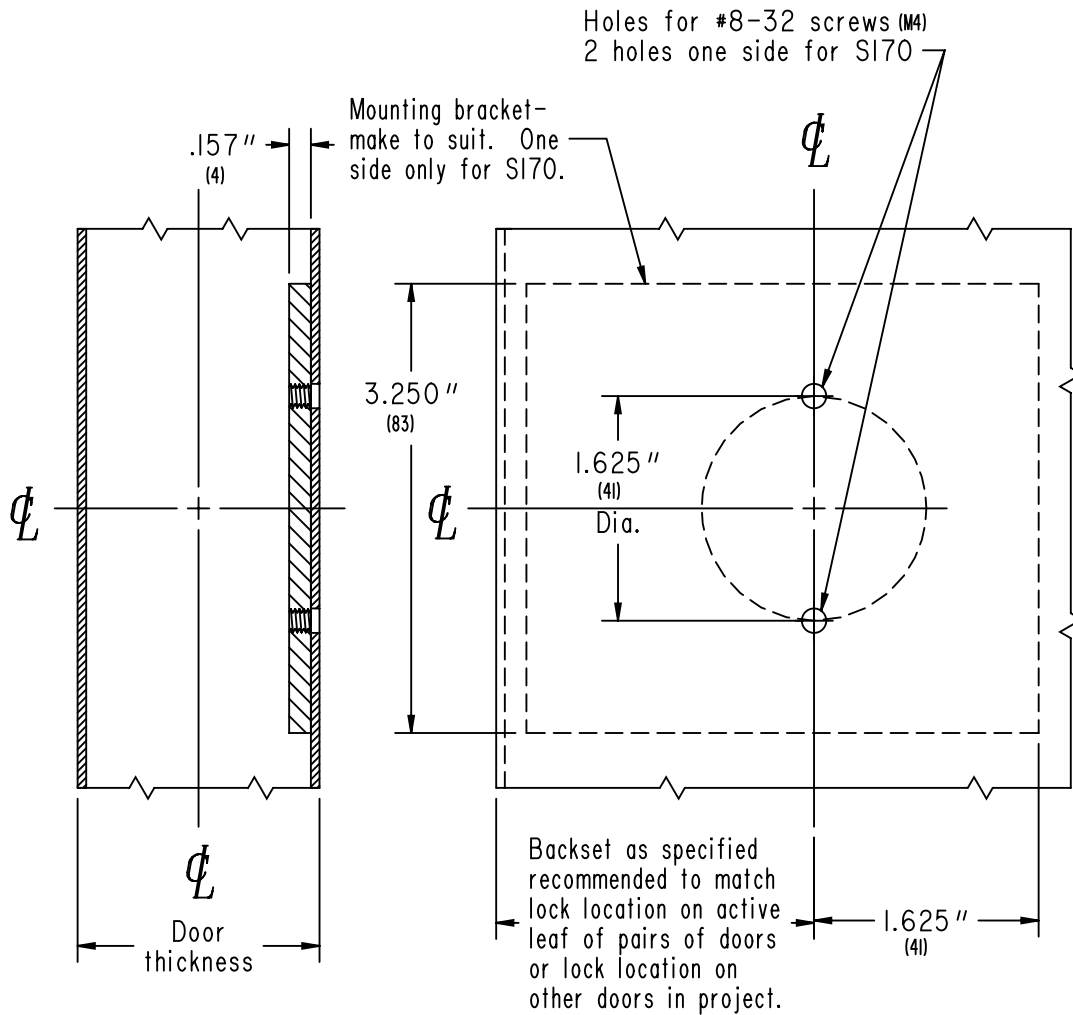
SCHLAGE®

S-Series
Dummy Trim



<p>BACKSETS Any backset</p>	<p>JOB _____ DATE _____ DOOR THICKNESS _____ REMARKS _____</p>	<p>TEMPLATE NO. S839</p>
---------------------------------	--	-------------------------------------

Note: Dimensions shown in parenthesis () are in millimeters.



<p>TEMPLATE NO.</p> <p>S840</p>	<p>JOB _____</p> <p>DATE _____ DOOR THICKNESS _____</p> <p>REMARKS _____</p>	<p>BACKSETS</p> <p>Any backset</p>
--	--	------------------------------------

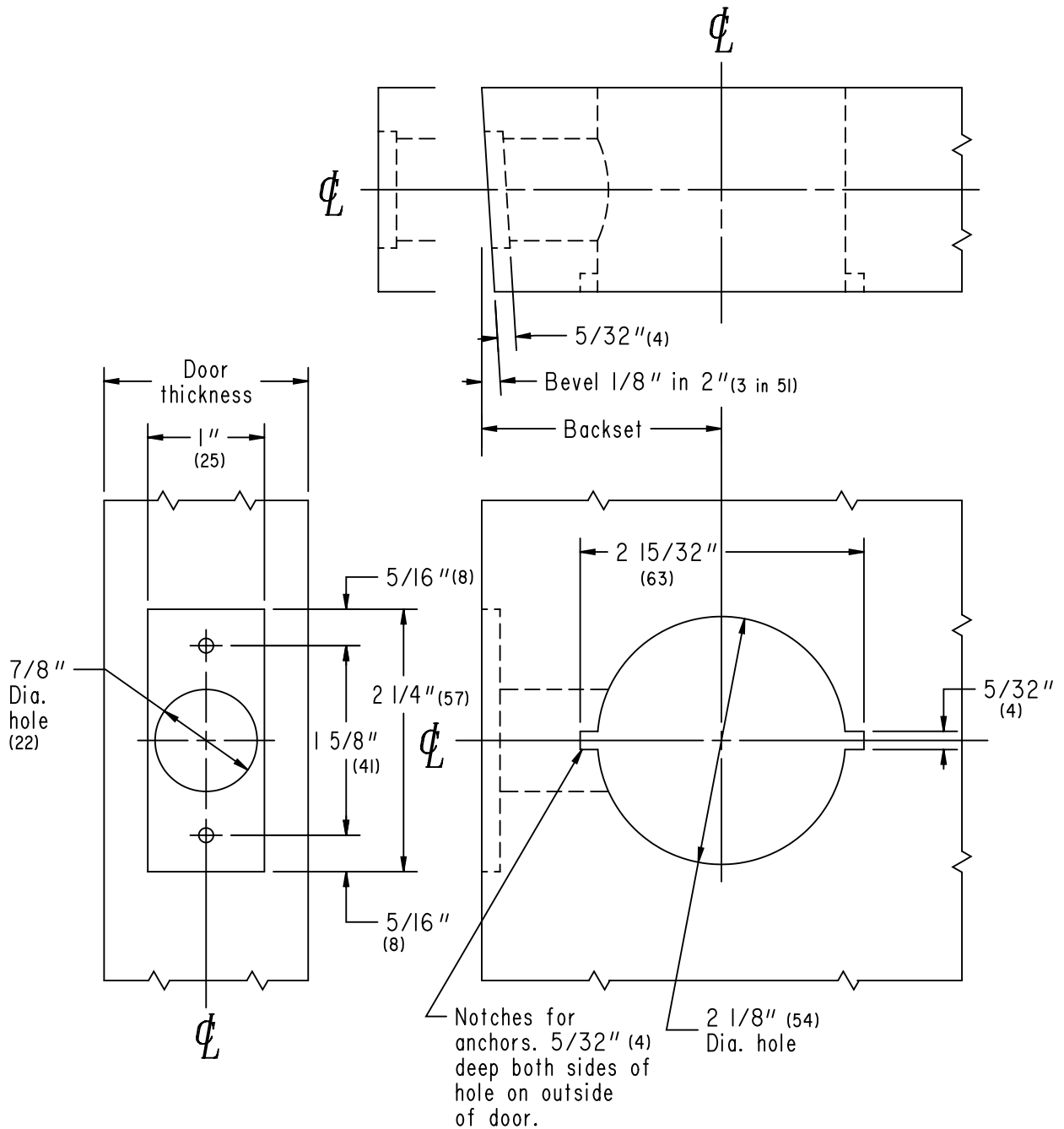
**S10D
thru
S80PD**

**1³/₈" (35) to 2" (51) wood or composite doors
1" (25) faceplate, flat or beveled**

Note: Dimensions shown in parenthesis () are in millimeters.

SCHLAGE®

S-Series



BACKSETS

S876-C, 2³/₈" (60)
S876-D, 2³/₄" (70)
S876-F, 5" (127)

JOB _____

DATE _____ DOOR THICKNESS _____

REMARKS _____

TEMPLATE NO.

S876

**S10D
thru
S80PD**

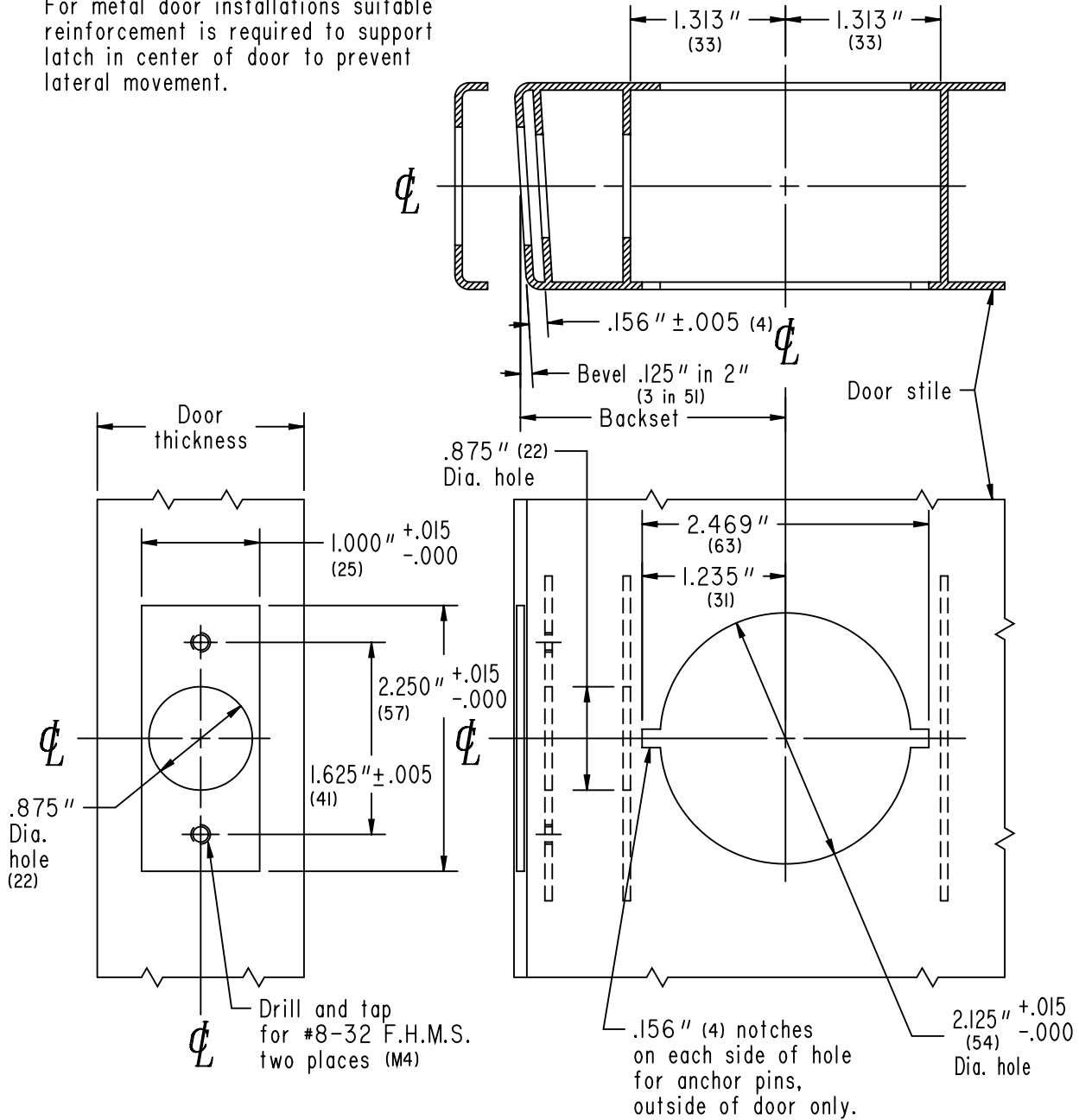
**1³/₈" (35) to 2" (51) metal doors
1" (25) faceplate, flat or beveled**

SCHLAGE®

S-Series

Note: Dimensions shown in parenthesis () are in millimeters.

For metal door installations suitable reinforcement is required to support latch in center of door to prevent lateral movement.



<p>TEMPLATE NO.</p> <p>S877</p>	<p>JOB _____</p> <p>DATE _____ DOOR THICKNESS _____</p> <p>REMARKS _____</p>	<p>BACKSETS</p> <p>S877-C, 2³/₈" (60)</p> <p>S877-D, 2³/₄" (70)</p> <p>S877-F, 5" (127)</p>
--	--	---

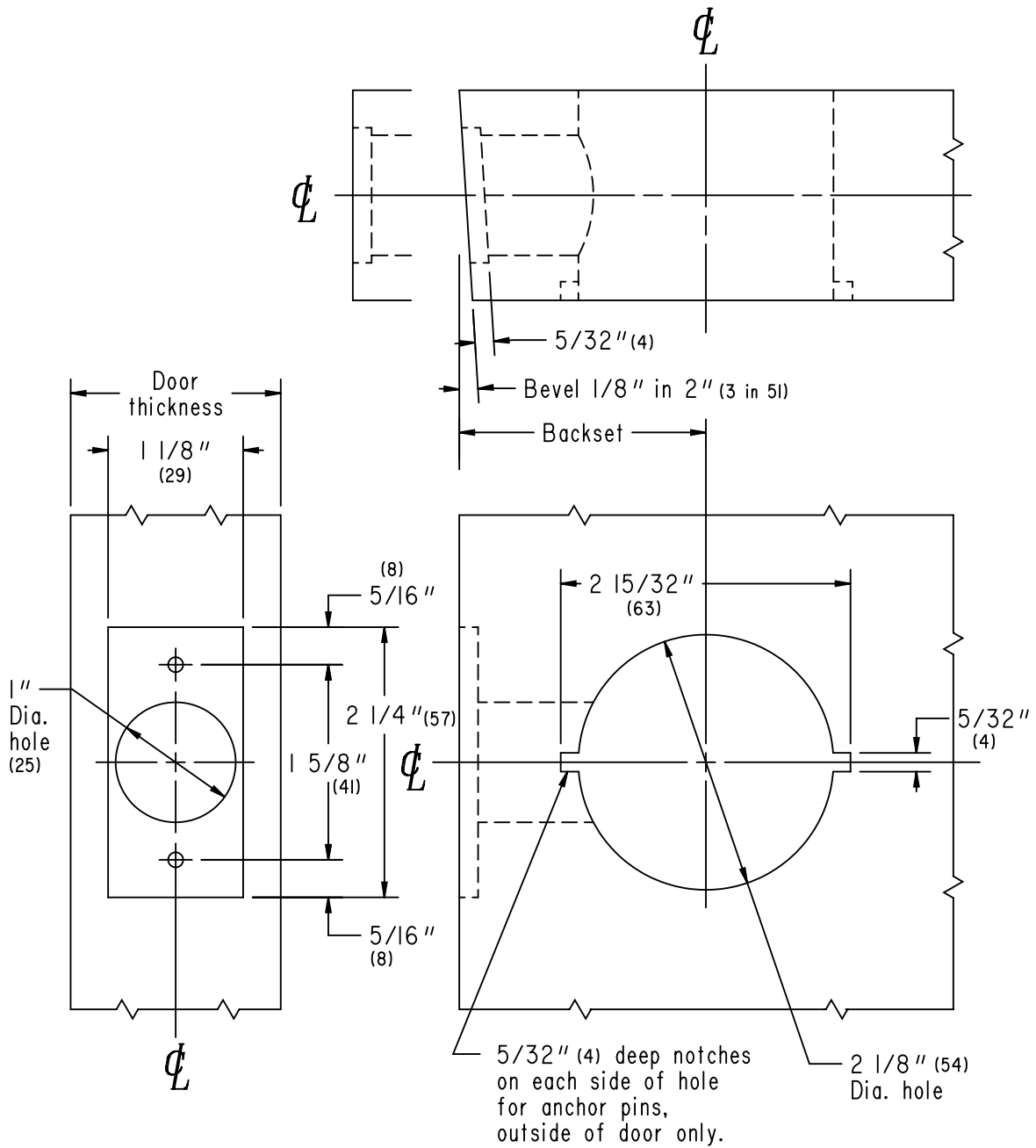
**S10D
thru
S80PD**

**1 3/8" (35) to 2" (51) wood or composite doors
1 1/8" (29) faceplate, flat or beveled**

Note: Dimensions shown in parenthesis () are in millimeters.

SCHLAGE®

S-Series



<p>BACKSETS S878-C, 2 3/8" (60) S878-D, 2 3/4" (70) S878-F, 5" (127)</p>	<p>JOB _____ DATE _____ DOOR THICKNESS _____ REMARKS _____</p>	<p>TEMPLATE NO. S878</p>
---	--	-------------------------------------

**S10D
thru
S80PD**

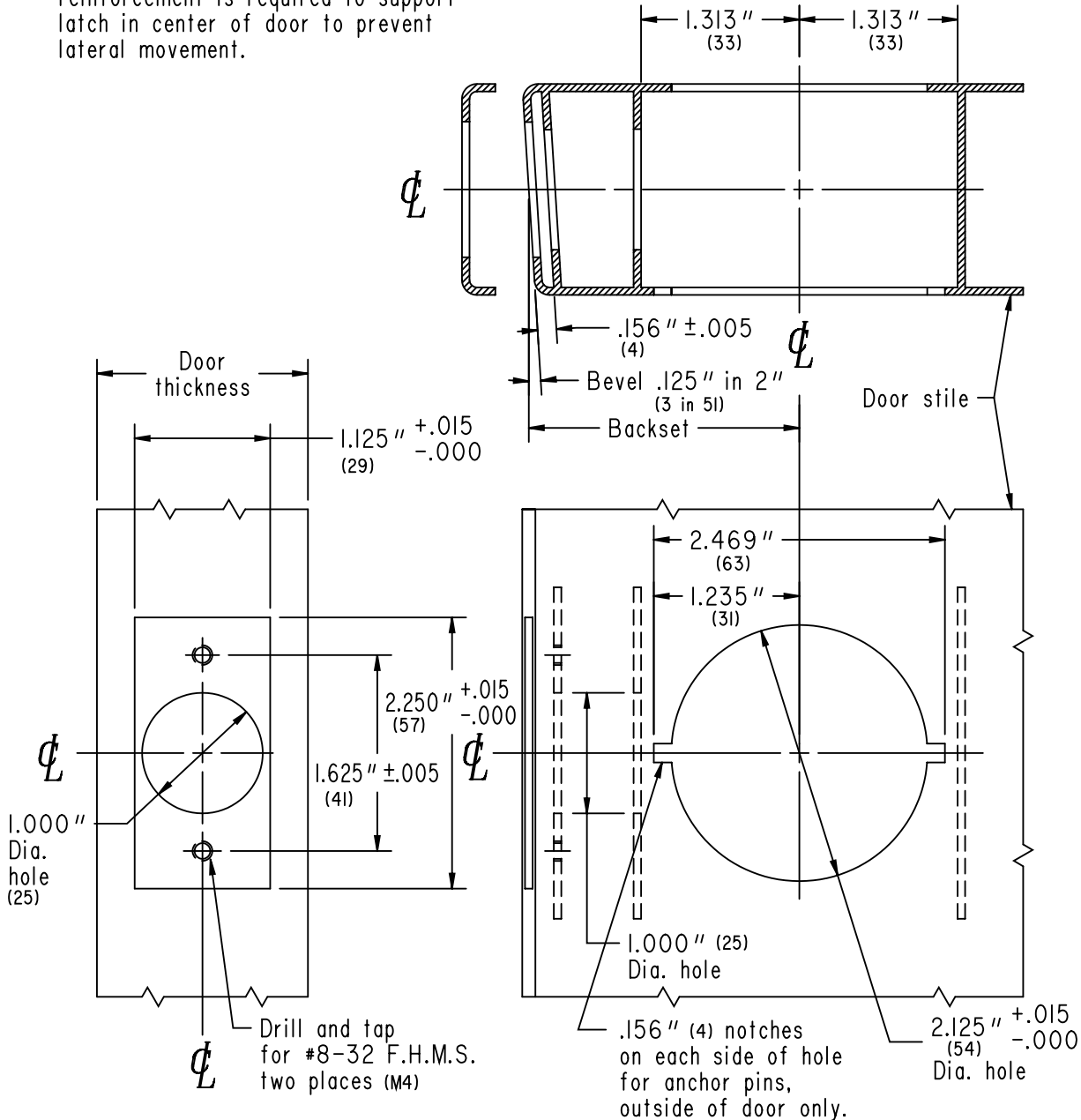
1³/₈" (35) to 2" (51) metal doors
1¹/₈" (29) faceplate, flat or beveled

SCHLAGE®

S-Series

Note: Dimensions shown in parenthesis () are in millimeters.

For metal door installations suitable reinforcement is required to support latch in center of door to prevent lateral movement.



<p>TEMPLATE NO.</p> <p>S879</p>	<p>JOB _____</p> <p>DATE _____ DOOR THICKNESS _____</p> <p>REMARKS _____</p>	<p>BACKSETS</p> <p>S879-C, 2³/₈" (60)</p> <p>S879-D, 2³/₄" (70)</p> <p>S879-F, 5" (127)</p>
--	--	---

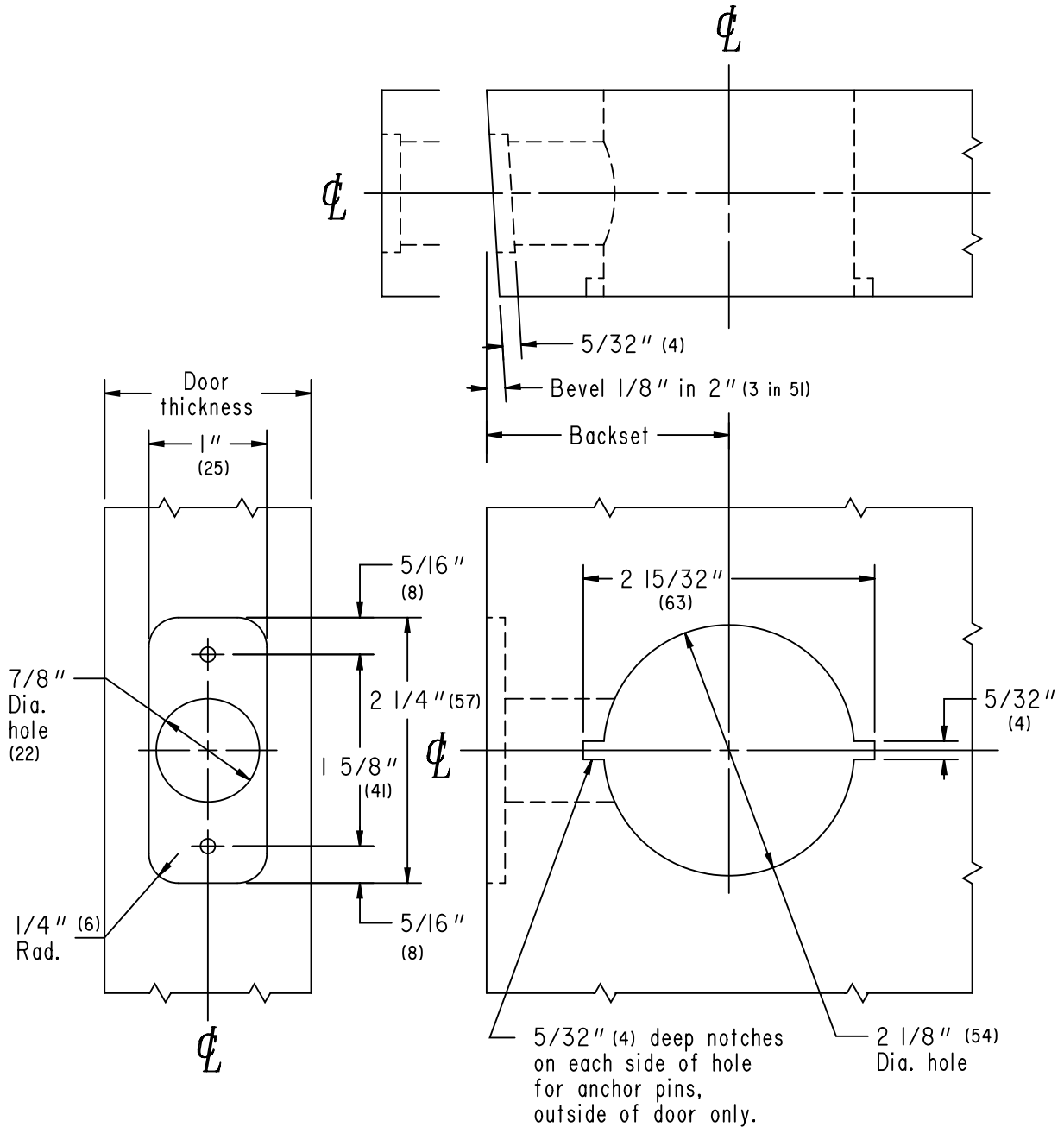
**S10D
thru
S80PD**

1 3/8" (35) to 2" (51) wood or composite doors
1" (25) faceplate, flat or beveled, 1/4" (6) radius corner

Note: Dimensions shown in parenthesis () are in millimeters.

SCHLAGE®

S-Series



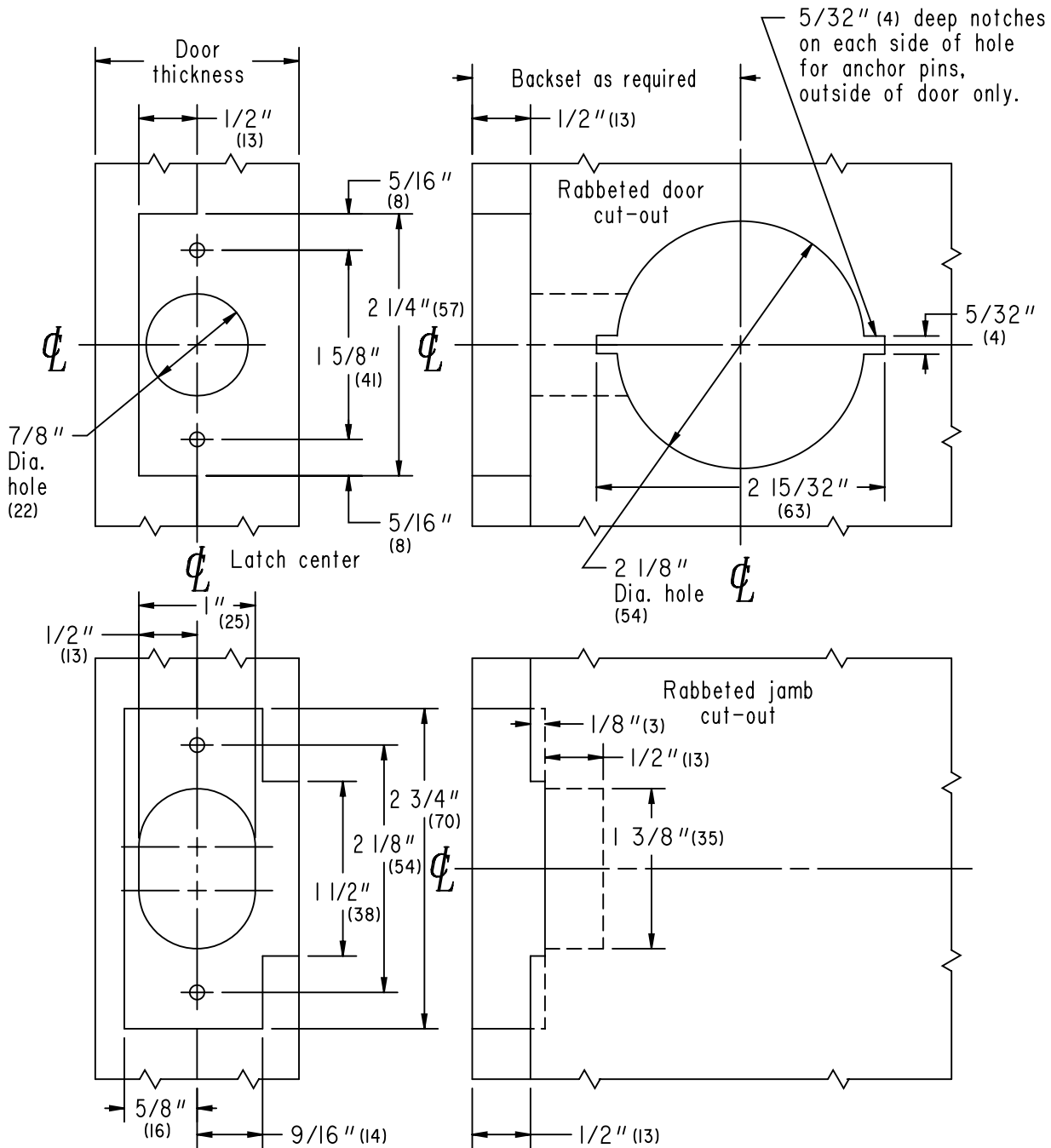
<p>BACKSETS S880-C, 2 3/8" (60) S880-D, 2 3/4" (70) S880-F, 5" (127)</p>	<p>JOB _____ DATE _____ DOOR THICKNESS _____ REMARKS _____</p>	<p>TEMPLATE NO. S880</p>
--	--	--------------------------------------

**S10D
thru
S80PD**

1 3/8" (35) to 2" (51) wood or composite doors
1" (25) flat, 1/2" (13) rabbeted faceplate and strike
Note: Dimensions shown in parenthesis () are in millimeters.

SCHLAGE®

S-Series



TEMPLATE NO.

S881

JOB _____

DATE _____ DOOR THICKNESS _____

REMARKS _____

BACKSETS

S881-C, 2 3/8" (60)

S881-D, 2 3/4" (70)

S881-F, 5" (127)