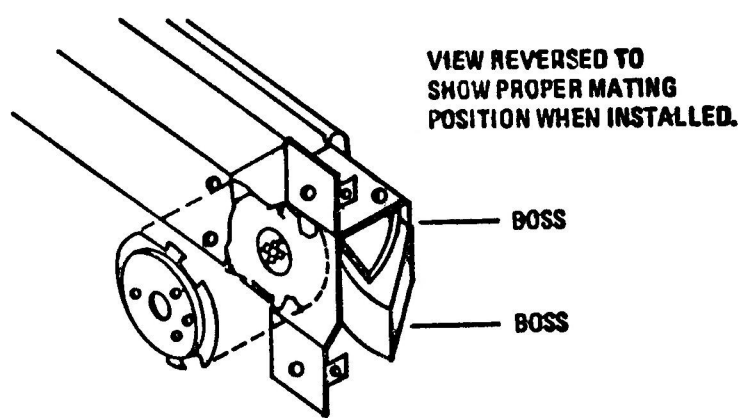
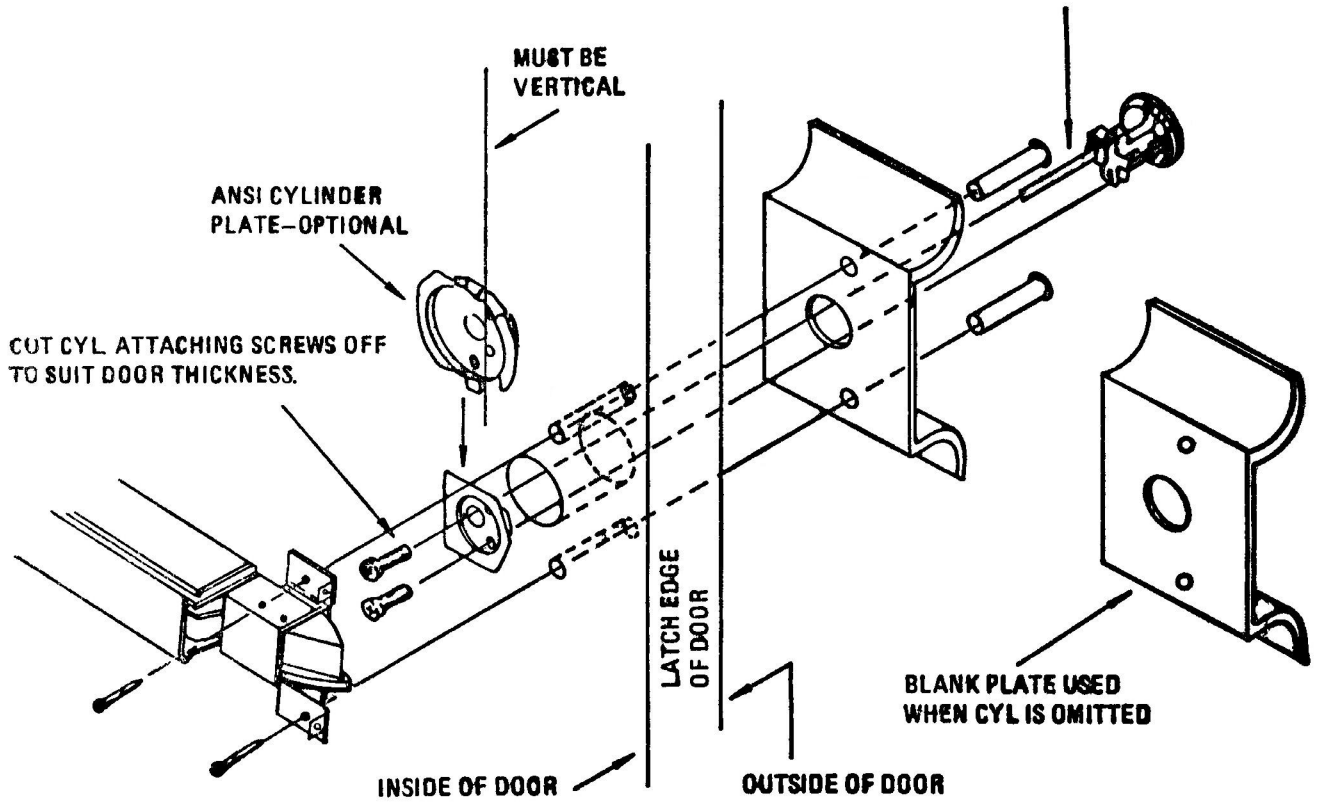


3. INSTALL TRIM AND STRIKE (CONT.)

PULL AND PLATE TRIM FOR REGULAR AND FIRE RATED DEVICES LA

CAUTION: REFER TO TEMPLATE PACKED WITH TRIM BEFORE PROCEEDING WITH STEP 3.

MOUNT CYL. HORIZONTALLY AS SHOWN. CUT OFF LENGTH OF CYL. CONNECTING BAR SO THAT 3/16" (4.8) PROJECTS BEYOND INSIDE FACE OF DOOR



CAUTION:
WHEN USING THE ANSI CYLINDER PLATE BE SURE THE BOSSES ON THE LATCH ASSEMBLY FIT INTO THE CUTOUTS ON THE CYLINDER PLATE SO THAT THE LATCH ASSEMBLY LAYS FLAT ON THE DOOR.